

Chubb safes Data Cabinet is a proven solution that is available as an extension to any computer network system threatened with the possibility of physical data loss during a fire. It is one of several types of media protection cabinets built to withstand most fire disaster conditions.



# Data Cabinet Micro 50

fire resistant data protection

## Features

- A very secure storage facility against fire for data or media storage; be it in the form of floppy diskettes, back-up drives, CD-Rom's, back-up cartridges, micro-fiche etc.
- A UL classified product that has been tested in compliance to UL 72 Class 125 for fire protection which represents one of the highest and most stringent test method currently used to evaluate media protection equipment.
- Cabinets that are subject to testing by UL undergo a series of tests designed to replicate the effects of a very serious fire. Certain sections of testing done may also replicate extraordinary fire situations to accommodate for occasional demands placed on such equipment.
- Well proven that burglar resisting safes and steel filing cabinets are ineffective for protecting data media storage equipment, as data media manufacturers recommend that disks should not be exposed to temperatures exceeding 52°C.
- Locking - Fitted with a cam lock.
- Fitting - Comes with a standard pull out drawer.



**Chubb safes**  
Trusted the world over.

FIRE  
RESISTANT

## Product Specifications

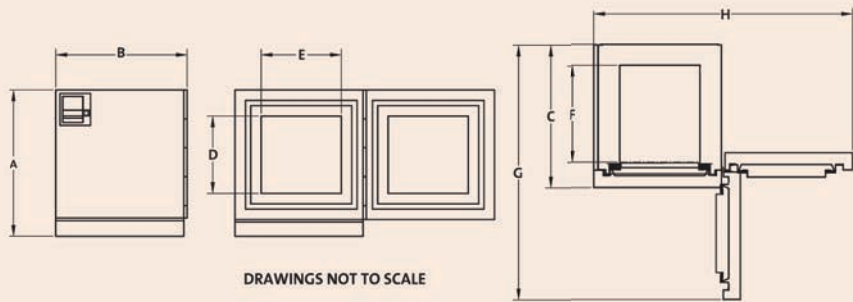
External dimensions (mm)			Internal dimensions (mm)			Capacity - litres	Nett Weight - Kg	Overall depth with Door at 90° (mm) - (G)	Overall width with Door fully open (mm) - (H)
Height (A)	Width (B)	Depth (C)	Height (D)	Width (E)	Depth (F)				
658	590	642	388	360	433	60	160	1146	1165

### Media Storage Capacities Capacities are given as a guide only

Media	No. of Trays	Total Capacity
3.5" Diskettes	3	750*
5.25" Diskettes	2	500*
Microfiche	2	3400
Data Cartridge	4	440
CD Rom	2	180

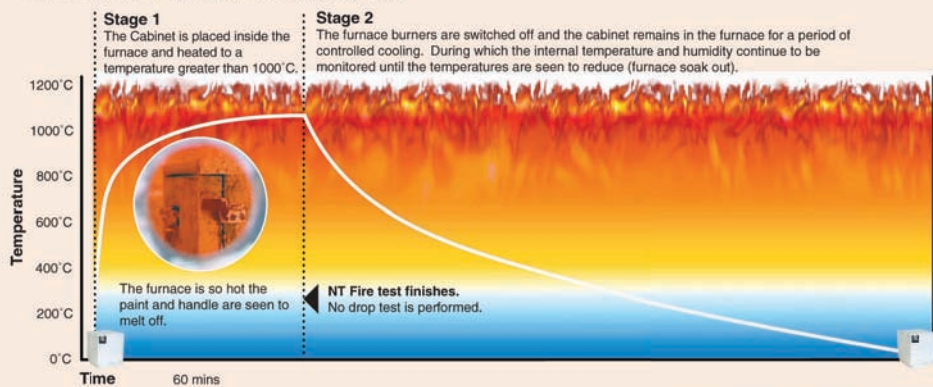
\*Inclusive of additional units placed at excess space at cabinet base.

Locking System : Slam action c/w Lock



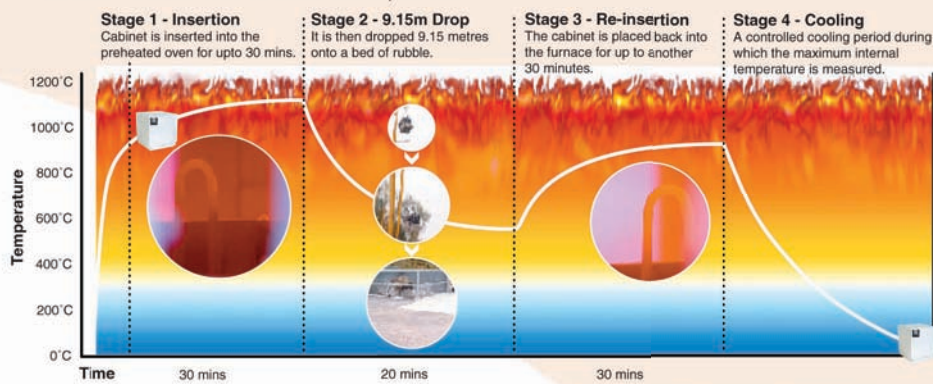
The Cabinet comes equipped with a single pull-out tray. Additional trays available as optional accessories. A maximum of 4 trays may be fitted within the Micro 50. Storage capacities listed above.

### Part 1: UL-72 Class 125 Fire Endurance Test.



As the cabinet is affected by heat for a much longer time, the testing period can actually take up to 24 hours.

### Part 2: UL-72 Class 125 Fire Shock and Impact Test.



As the cabinet is affected by heat for a much longer time, the testing period can actually take up to 24 hours.



"This product is classified to UL Standards and requirements by Underwriters Laboratories Inc" UL 72 Class 125

#### Note :

- Chubb safes policy is one of constant improvement. We reserve the right to alter any specifications contained in this publication without prior notification. Variance  $\pm 5$ mm.
- This product is designed for recommended storage of computer media. For protection against physical attack, ask for details of Chubb safes' safes.

Authorised dealer :

# Chubb safes

*Trusted the world over.*

**CHUBB MALAYSIA SDN. BHD.** (7652-K)  
Kompleks Sime Darby, Persiaran Kawajipan,  
USJ 7, 47600 UEP Subang Jaya,  
Selangor Darul Ehsan, Malaysia.  
Tel: +603-5636 2824 Fax: +603-5635 3066  
Email : [stevenchan@chubb safes.com.my](mailto:stevenchan@chubb safes.com.my)

Website: <http://energy.simedarby.com>

'Chubb' is a registered trademark owned by Chubb plc and is used under license