

NVS8-1P

VIRTUE SERIES

NETWORK VIDEO RECORDER WITH PoE+

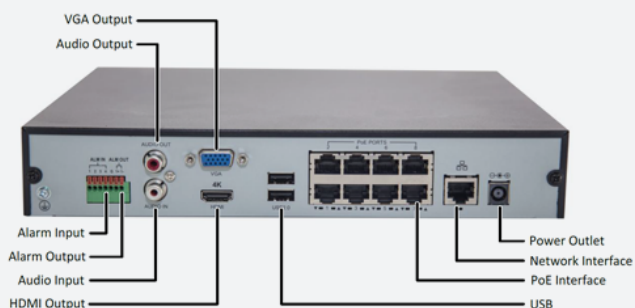
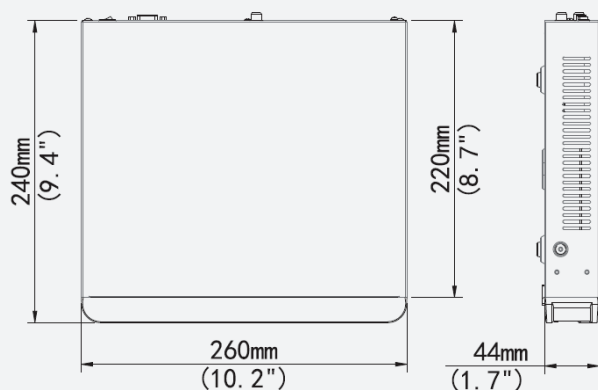
compatible with:



KEY FEATURES

- 8 channel input
- Plug & Play with 4/8 independent PoE network interfaces
- Third-party IP cameras supported with ONVIF conformance
- Support 1-ch HDMI, 1-ch VGA, HDMI at up to 4K(3840x2160) resolution
- Up to 8 Megapixels resolution recording
- Support H.265/H.264 video formats
- Accurate retrieval, instant playback
- 1 SATA HDD up to 6 TB
- Support for P2P, UPnP, NTP, DHCP, PPPoE
- Support for mobile client access

FEATURES IMAGES



TECHNICAL SPECIFICATIONS

IP Video Input	8-ch
Two-way audio Input	1-ch, RCA
Incoming Bandwidth	60Mbps
Outgoing Bandwidth	64Mbps
Remote Connection	128
HDMI/VGA Output	HDMI: 4K (3840x2160) /30Hz, 1920x1080p /60Hz, 1920x1080p /50Hz, 1600x1200 /60Hz, 1280x1024 /60Hz, 1280x720 /60Hz, 1024x768 /60Hz
	VGA: 1920x1080p /60Hz, 1920x1080p /50Hz, 1600x1200 /60Hz, 1280x1024 /60Hz, 1280x720 /60Hz, 1024x768 /60Hz
Audio Output	1-ch, RCA
Recording Resolution	8MP/6MP/5MP/4MP/3MP/1080p/960p/720p/D1/2CIF/CIF
Synchronous Playback	8-ch
Compression	H.265/H.264
Live View/ Playback Capability	8MP/6MP/5MP/4MP/3MP/1080p/960p/720p/D1/2CIF/CIF
SATA	1 x 4K@30, 3 x 4MP@20, 4 x 1080p@25, 8 x 720p@25, 16 x D1
Capacity	1 SATA interface up to 6TB for each disk
Network Interface	1 RJ-45 10M/100M self-adaptive Ethernet Interface
Network Function	HTTP, TCP/IP, IPV4, UPNP, RTSP, UDP, SMTP, NTP, DHCP, DNS, IP Filter, PPPoE, DDNS, FTP, IP Server, P2P
USB Interface	Rear panel : 2 x USB2.0, Front panel : 1xUSB2.0
Alarm In	4-ch
Alarm Out	1-ch
Interface	8 independent 100 Mbps PoE network interfaces
Supported Standard	IEEE 802.3at, IEEE 802.3af
Power Supply	52V DC
Consumption w/o HDD	≤ 5 W
PoE	Max 30W for single port; Max 108W in total (13.5W for each)
Working Temperature	-10°C ~ + 55°C (+14°F ~ +131°F)
Working Humidity	10% ~ 90%
Dimension	44 × 260 × 240mm (1.7" × 10.2" × 9.4")
Weight w/o HDD	≤ 1.12 Kg (2.47 lb)