

Mini Banker Safe is a low to medium security safe designed ideally for small businesses and homes to protect valuables and documents.



# Mini Banker Safe

BURGLARY-RESISTANT PROTECTION

## Key Features

- **Body** – The body has an effective barrier thickness of 65mm; constructed from steel, welded throughout to form a single unit and filled with Chubb safes F60 specially formulated barrier material.
- **Door** – The door has an overall thickness of 88mm incorporating a 9 mm solid steel plate. The front edge of the door is secured to the body by front moving bolts with bolt cup. A full length docking bolt secures the back edge of the door. Each front bolt measures 25mm in diameter.
- **Locking** – Fitted with a 3-wheel Keyless Combination Lock protected by a String Relocker and a 8-lever Key Lock.

Both locks operate independently of each other. The key lock and relocker are further protected by drill resistant hard plates. This further strengthens the drill resisting qualities of the Relocker.

- **Fire Resistance** – Tested in accordance with the Japanese Industrial Standard JIS 1037:1989 for a 40 minutes fire rating.
- **Fittings** – The safe comes complete with a standard internal steel shelf which is adjustable at intervals to suit individual customer requirements. A single lockable fixed drawer is also included.
- **Finish** – A Polyurethane base paint finish is used to coat the body and door. The paint is both scratch resistant and durable.



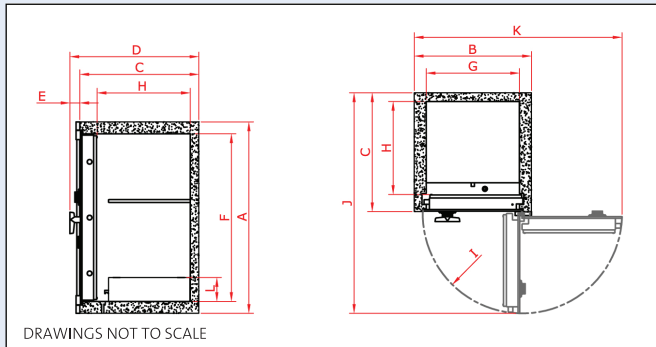
**Chubb safes**

*Trusted the world over.*

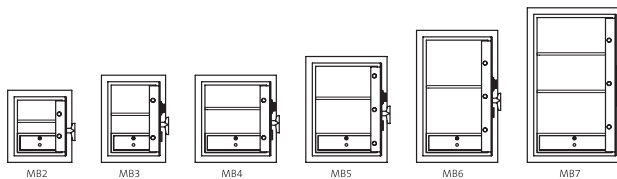
BURGLARY  
PROTECTION

# Product Specifications

Size	External (mm)					Internal (mm)							Nett weight (kgs)	Gross weight (kgs)	Capacity (Litres)	No. of Front Bolts	No. of Shelf
	(A) Height	(B) Width	(C) Depth	(D) Clear depth over furniture	(E) Furniture Projection	(F) Height	(G) Width	(H) Depth	(I) Door swing	(J) Depth with door at 90°	(K) Width when door is fully open	(L) Drawer height					
2	488	435	445	499	54	358	305	305	340	797	726	130	160	184	33	2	1
3	590	435	445	499	54	460	305	305	340	797	726	130	190	217	43	2	1
4	590	550	560	614	54	460	420	420	454	1026	955	130	270	304	81	2	1
5	717	550	560	614	54	587	420	420	454	1026	955	130	320	355	103	3	1
6	894	550	560	614	54	764	420	420	454	1026	955	130	380	415	135	3	1
7	1047	640	650	704	54	917	510	510	544	1206	1135	130	520	570	238	3	2



## Mini Banker Safe



Mini Banker Size 5



Key Lock



Keyless Combination Lock



Mini Banker Size 3



Mini Banker Size 5



Mini Banker Size 6

### • Keyless Combination Lock

Secured by one 3-wheel Keyless Combination Lock. Capable of 1,000,000 changes of code. The operation of this lock is simple. The code can be changed easily and security can be maintained over the safe whenever there is a change of staff.

### • Key Lock

Secured by one 8-lever double bitted Key Lock from Germany.

## Options

- **Night Drawer Trap (NDT)** – Allow for effective deposit of cash and documents through a secured drawer without having to open the safe's main door. Upon closing the drawer, the contents would fall into the safe. An "Anti-Fishing Plate" is also incorporated to protect against 'fishing' attempts to remove the safe's content through the Trap.

**Drawer Clear Opening:** 239mm (W) x 153mm(H) x 125mm (D)  
**Night Drawer Trap External Height:** 254mm

- **Envelope Slot** – Specially designed with a slot 13mm (W) x 152mm (L) on the top face of the safe to facilitate easy and convenient deposit of small amount of cash and other less bulky documents without having to open the safe. Like the NDT, an "Anti-Fishing Plate" is installed to protect against 'fishing' attempts.

### • Locking Option:



Electronic Lock

- A choice of two or three movement timelocks (restricted to size 6 & 7only) may also be fitted as an additional requirement.

Authorised dealer:

# Chubbsafes

*Trusted the world over.*

**GUNNEBO MALAYSIA SDN. BHD.** (877658-K)  
Suite 13A.01, Level 13A,  
Menara Summit,  
Persiaran Kewajipan, USJ 1,  
47600 Subang Jaya, Selangor  
Tel : +603-8024 3050  
Fax : +603-8024 3051  
Website: [www.gunnebo.com.my](http://www.gunnebo.com.my)  
E-mail: [info.my@gunnebo.com](mailto:info.my@gunnebo.com)

