



**MEDIUM SECURITY
SAFE** FOR THE
PROTECTION OF
DOCUMENTS, CASH
AND VALUABLES
AGAINST BURGLARY
ATTACKS AND FIRE



FORTRESS SAFE

BURGLARY- & FIRE-RESISTANT PROTECTION



KEY FEATURES

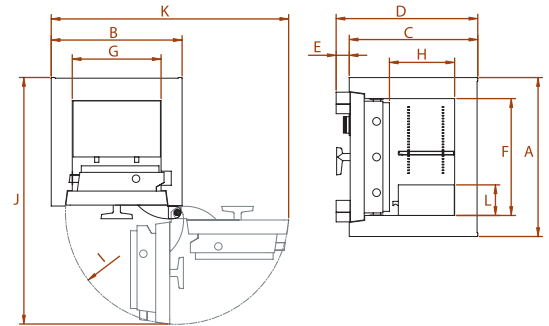
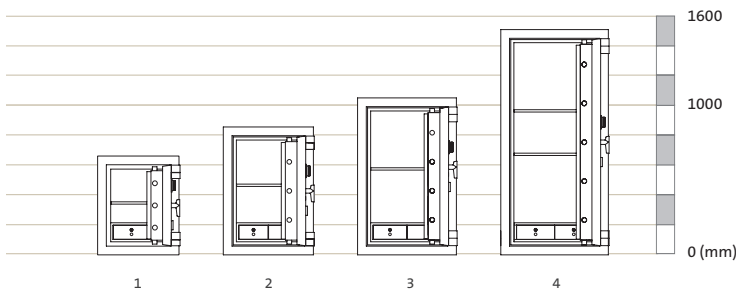
- Overall body thickness 90mm consist of inner and outer plates enclosing a seamless casting of Chubb safes CENTRIX I specially formulated barrier material, provides formidable barrier to potential attacks.
- Overall door thickness of 138mm with an effective thickness of 30mm filled with Chubb safes CENTRIX I specially formulated steel fibre barrier material to increase overall strength.
- Door is secured by 3-way moving steel bolts 32mm in diameter. A full length docking bolt secure the back edge of the door.
- Fitted with a 3-wheel Keyless Combination Lock protected by a Glass Relocker and a 8-lever Key Lock. The key lock and relocker are further protected by drill resistant hard plates.
- Fire Resistance tested to a level corresponding to the Japanese Industrial Standard JIS S1037 : 1981 with fire resistance for up to 60 minutes.
- A Polyurethane base paint finish is used to coat the body and door. The paint is scratch resistant and durable.

FORTRESS SAFE

PRODUCT SPECIFICATIONS

Size	(A) External Height (mm)	(B) External Width (mm)	(C) External Depth (mm)	(D) Clear depth over hinge	(F) Internal Height (mm)	(G) Internal Width (mm)	(H) Internal Depth (mm)	(I) Door Swing	(J) Depth with door at 90°	(K) Width when door fully open	Nett weight (kgs)	Gross weight (kgs)	capacity (Litres)	Nett weight with night drawer trap (kgs)
1	680	560	520	576	500	380	270	478	1025	1016	350	390	51	460
2	880	620	580	636	700	440	330	538	1145	1136	490	538	102	610
3	1080	680	640	696	900	500	390	597	1264	1254	660	728	176	810
4	1550	740	870	926	1370	560	620	658	1555	1376	1180	1265	476	-

* (E) Furniture projection 56mm / (L) Internal drawer height 130mm



STANDARD LOCKS



KEY LOCK

Secured by one 8-lever double bitted Key Lock from Germany



COMBINATION LOCK

Secured by one 3-wheel Keyless Combination Lock. Capable of 1,000,000 changes of code. The code can be changed easily and security can be maintained over the safe whenever there is a change of staff.

LOCK OPTION:



ELECTRONIC LOCK

INTERNAL FITTING

The safes comes with a standard adjustable shelf and internal drawers secure by a key lock.

OPTIONS



NIGHT DRAWER TRAP (NDT)

For night deposit with "Anti-Fishing Plate"

Drawer Clear Opening: 239mm(W) x 153mm (H) x 125mm(D)
Night Drawer Trap External Height: 254mm

ENVELOPE SLOT

Envelope slot on the top of the safe for night deposit with "Anti-Fishing Plate".
Slot size 13mm(W) x 152mm(L)

Authorized dealer

GUNNEBO MALAYSIA SDN. BHD. (877658-K)

Suite 13A.01, Level 13A

Menara Summit

Persiaran Kewajipan USJ 1,

47600 Subang Jaya, Selangor

Tel: + 603-8024 3050

Fax: + 603-8024 3051

Website: www.gunnebo.com.my

Email: info.my@gunnebo.com

www.chubbsafes.com.my